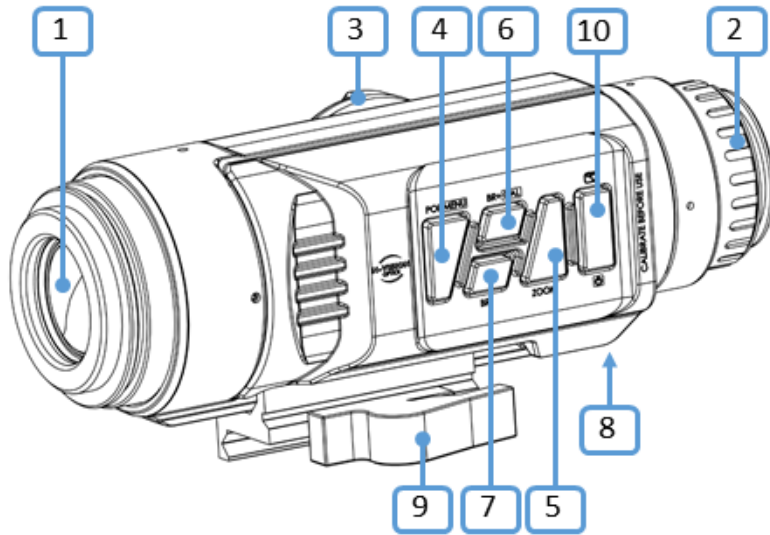
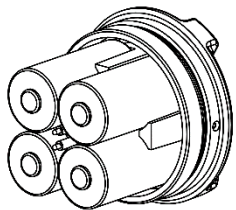


HALO THERMAL SIGHT QUICK REFERENCE GUIDE



1	Objective Lens	6	BR+ (CAL) CE+ Adjustment (Calibration) Switch
2	Ocular (eye piece)	7	BR- CE- Adjustment Switch
3	Battery Compartment Cover	8	Electrical Connector (under dust cup)
4	POL (MENU) Polarity (Menu) Switch	9	MIL-STD-1913 Rail Mount
5	ZOOM Digital Zoom Switch	10	Power Switch



BATTERY INSTALLATION. Unscrew the Battery Compartment Cover (3). Install four CR123 (DL123) batteries into Battery Compartment Cover with all batteries having positive (+) terminals facing out. Close the Battery Compartment Cover (3) and tighten it. Silver colored separator on the Battery

Compartment Cover should be facing up when inserting battery compartment back into unit; this is the only way to correctly insert batteries.

POWERING ON/OFF. Press and hold down the Power Button for approximately two seconds. When the display in the Ocular lights up, release

the **Power** button. To turn the unit off press and hold **Power** button for approximately two seconds until the image in the Ocular disappears.

IMPORTANT: THERMAL CALIBRATION. HALO requires calibration before each use after powering the unit up or after a significant change in ambient temperature, etc. To calibrate the system, ensure the lens cover is closed or the objective lens is completely covered with a hand, etc. Then press and hold **BR+ (CAL)** for approximately two seconds until image refreshes.

DIGITAL ZOOM (E-ZOOM). E-Zoom is activated by pressing the **ZOOM** button. The E-Zoom sequence allows the user to select multiple e-zoom factors. When **ZOOM** button is pressed and released the sight will sequence through 2X then 4X then return to 1X.

POLARITY. Briefly press the **POL (MENU)** button to change polarity between Black Hot, White Hot and Edge Detect modes. Edge detect modes can be enabled and disabled in the Video Settings menu. Black Hot mode displays the hottest parts of the video as black. The cooler parts are displayed as increasingly lighter shades of gray. White Hot mode displays the hottest parts as white with darker shades of gray until the coldest parts show as black. Edge Detect modes outline regions with the same temperatures in black or white.

CONTRAST ENHANCEMENT (CE). In low thermal contrast, it is often beneficial to be able to increase or decrease the CE level. This can be done by pressing the **BR+** and **BR-** buttons or in Video Settings menu. When CE is set too high for the existing conditions, the image may appear grainy. It is recommended to keep CE level as low as possible.

PHOTOS. Photos can be taken by briefly pressing and releasing the **Power** button. Photo icon will briefly flash in the upper right corner of the display when picture is taken. For this function to be preset, photos should be enabled in **System Settings** menu.

MENU. To enter menu system press the **POL (MENU)** button for approximately two seconds.

Navigate between menu items by moving pointer using the **BR+** and **BR-** buttons. Select menu item by pressing **POL (MENU)** button. When an item is selected, the pointer will change its shape. Value of the selected item is changed with **BR+** and **BR-** buttons.

RESTORATION TO FACTORY SETTINGS. While the unit is On, press and hold **BR-** for approximately 15 seconds until the HALO turns Off. HALO QRG v1.2